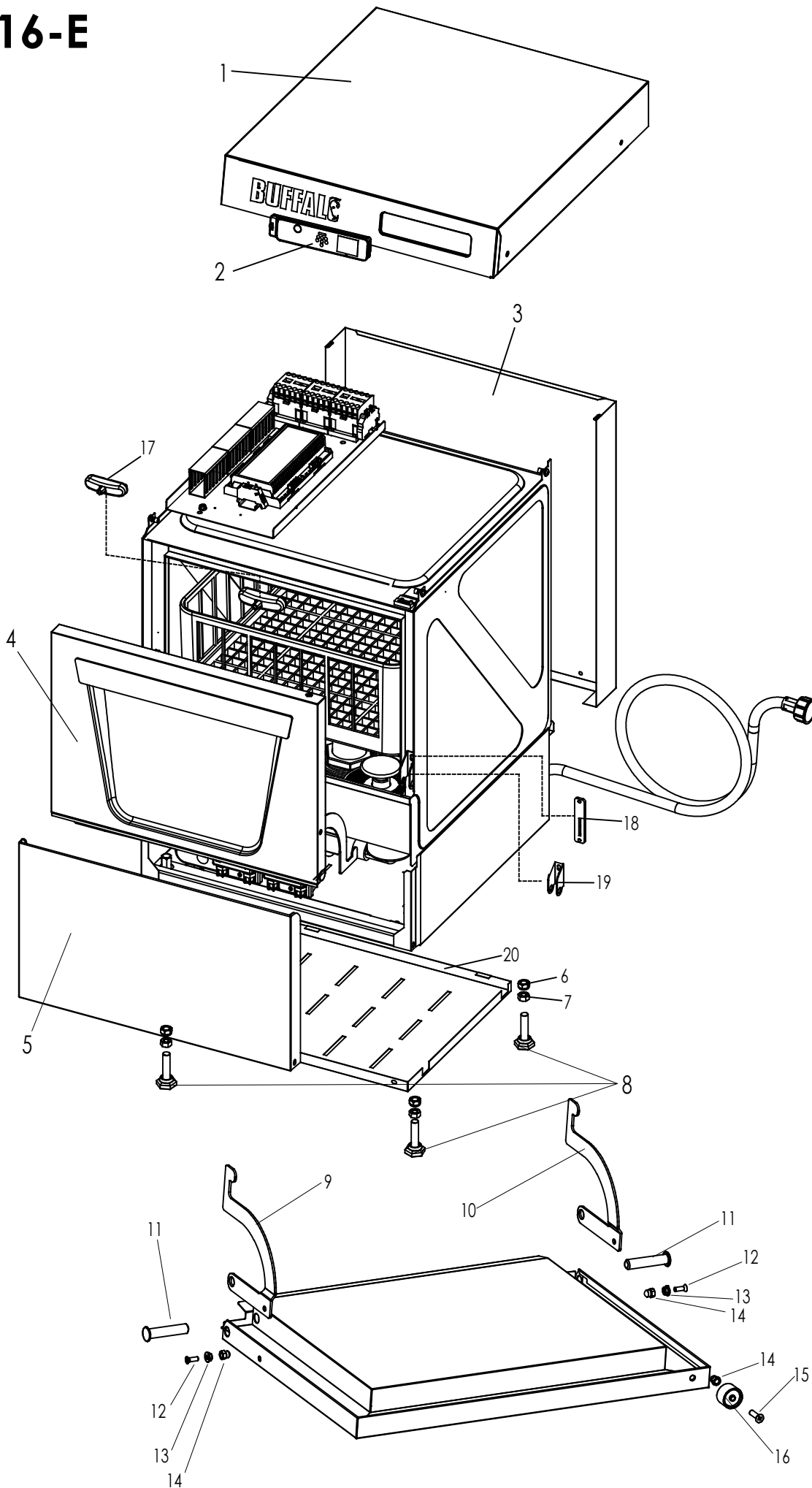


# HC516-E



| R&D     | NAME    | SIGNATURE | DATE |
|---------|---------|-----------|------|
| DRAWING | S.GURCU |           |      |
| CONTROL | S.GURCU |           |      |
| CONSENT | M.HACI  |           |      |

**BUFFALO**  
GROUP NAME: BODY GROUP

# HC516-E

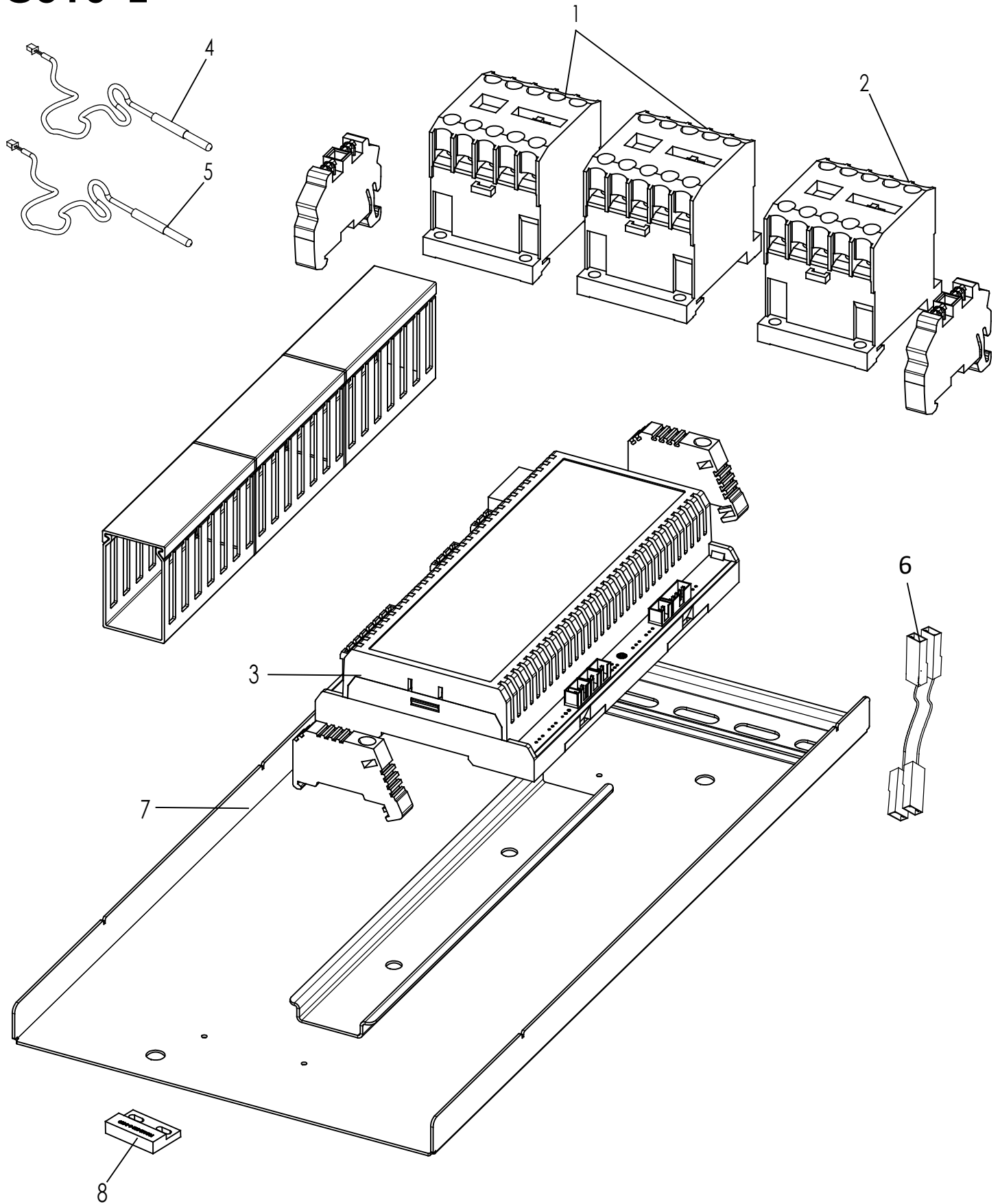
## Item names/Codes

|    |                |                                  |
|----|----------------|----------------------------------|
| 1  | 2710.00502.59  | Top Panel - Buffalo logo pressed |
| 2  | 6262.00043.030 | Touch Screen panel               |
| 3  | 2710.00502.29  | Back panel                       |
| 4  | 2710.00502.06  | Door Group                       |
| 5  | 2710.00502.39  | Lower front panel                |
| 6  | 6214.00013.19  | Nut                              |
| 7  | 6214.00001.05  | Nut                              |
| 8  | 6262.00011.03  | Adjustable feet                  |
| 9  | 2710.00502.490 | Door Hinge Left                  |
| 10 | 2710.00502.49  | Door Hinge Right                 |
| 11 | 6262.00001.010 | Hinge Pin                        |
| 12 | 6213.00002.01  | M4x10 Screw                      |
| 13 | 6214.00014.03  | Nut                              |
| 14 | 6214.00005.05  | Nut                              |
| 15 | 6213.00002.12  | M5x20 Screw                      |
| 16 | 2710.F0001.01  | Door type Magnet with cover      |
| 17 | 6262.00001.09  | Door Lock Group                  |
| 18 | 6262.00001.81  | Door stopper                     |
| 19 | 2710.00502.48  | Hinge body                       |
| 20 | 2710.00502.47  | Lower cover                      |

| R&D     | NAME    | SIGNATURE | DATE |
|---------|---------|-----------|------|
| DRAWING | S.GURCU |           |      |
| CONTROL | S.GURCU |           |      |
| CONSENT | M.HACI  |           |      |

|             |                |
|-------------|----------------|
| GROUP NAME: | <b>BUFFALO</b> |
|             | BODY GROUP     |

# HC516-E



| R&D     | NAME    | SIGNATURE | DATE |
|---------|---------|-----------|------|
| DRAWING | S.GURCU |           |      |
| CONTROL | S.GURCU |           |      |
| CONSENT | M.HACI  |           |      |

GROUP NAME:

## BUFFALO

ELECTRICAL GROUP

# HC516-E

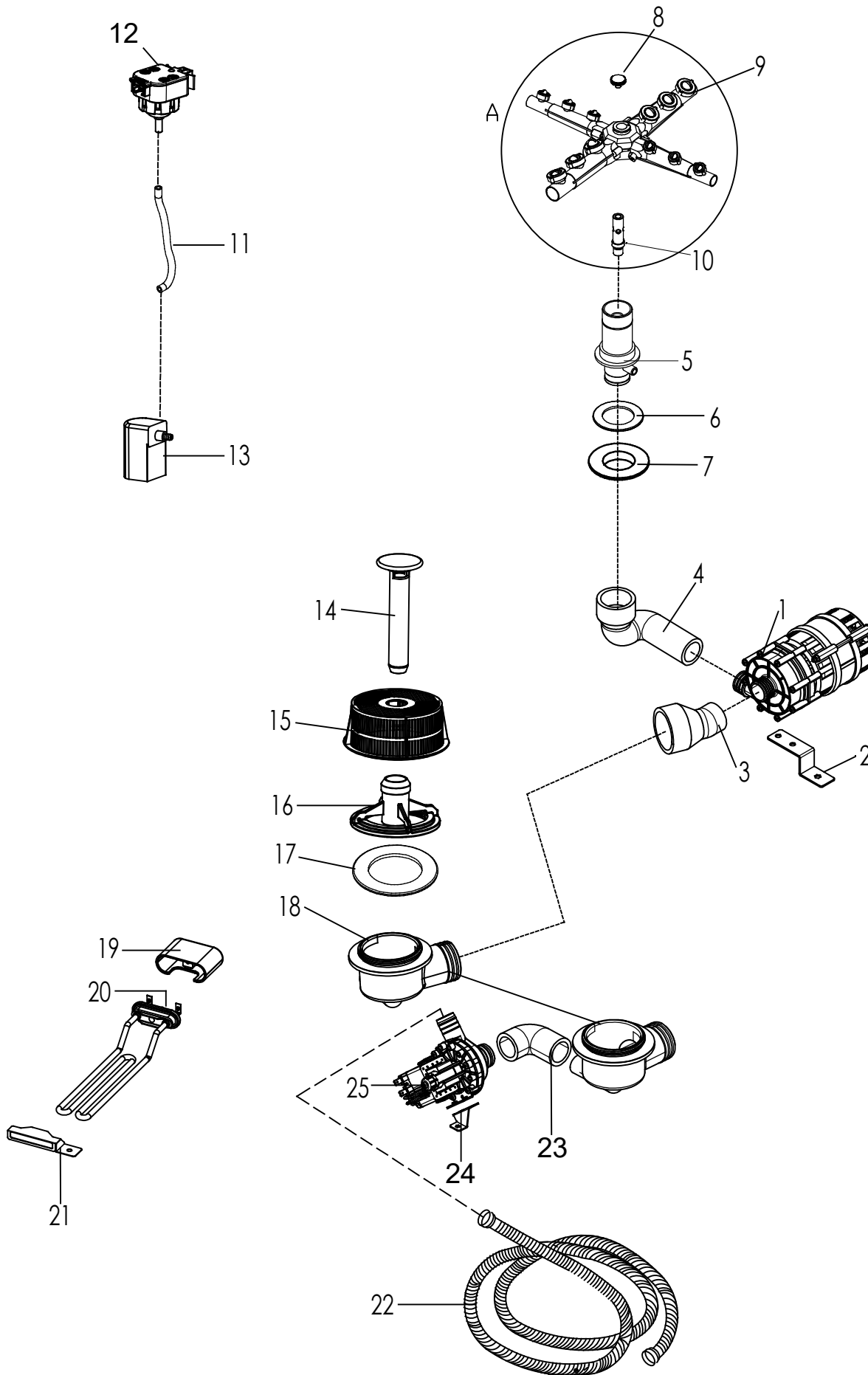
## Item names/Codes

|    |                |  |
|----|----------------|--|
| 1  | 6230.00014.09  | CONTACTOR DILEM-10 MOELLER 4 KW          |
| 2  | 6230.00014.14  | CONTACTOR 12-01 MOELLER                  |
| 3  | 6262.00043.17  | Power Box                                |
| 4  | 6262.00043.011 | Boiler prob                              |
| 5  | 6262.00043.011 | Tank prob                                |
| 6  | 6268.00025.13  | Pressure switch cable                    |
| 7  | 2710.00502.35  | Electrical pano plate $\frac{35}{40}$    |
| 8  | 6232.00005.16  | Magnetic Switch                          |
| 9  | 9099.00001.85  | Safety Limit Thermostat for washing tank |
| 10 | 9099.00001.86  | Safety Limit Thermostat for boiler tank  |

| R&D     | NAME    | SIGNATURE | DATE |
|---------|---------|-----------|------|
| DRAWING | S.GURCU |           |      |
| CONTROL | S.GURCU |           |      |
| CONSENT | M.HACI  |           |      |

|                              |
|------------------------------|
| <b>BUFFALO</b>               |
| GROUP NAME: ELECTRICAL GROUP |

# HC516-E



| R&D     | NAME    | SIGNATURE | DATE |
|---------|---------|-----------|------|
| DRAWING | S.GURCU |           |      |
| CONTROL | S.GURCU |           |      |
| CONSENT | M.HACI  |           |      |

**BUFFALO**

GROUP NAME: WASHING GROUP

# HC516-E

## Item names/Codes

|    |                |   |
|----|----------------|---|
| 1  | 9099.L63T1.9SX | Washing Pump                            |
| 2  | 2710.00502.73  | Washing Pump housing plate              |
| 3  | 6262.00021.083 | Hose                                    |
| 4  | 6262.00021.084 | Hose                                    |
| 5  | 6262.00024.03  | Connection Pipe for Bottom Nozzle       |
| 6  | 6226.00004.040 | Gasket                                  |
| 7  | 6262.00024.04  | Water inlet bottom nut                  |
| 8  | 6262.00041.040 | Spray arm fixing screw                  |
| 9  | 6262.00033.32  | Washing&Rinsing plastic arms            |
| 10 | 6262.00041.03  | Navel axle                              |
| 11 | 6262.00021.07  | Hose ( pressure switch )                |
| 12 | 5A1X.37640.615 | Pressure Switch                         |
| 13 | 6262.00026.00  | Air Trap                                |
| 14 | 6262.00028.06  | Drain pipe                              |
| 15 | 6262.00027.04  | Suction filter top part                 |
| 16 | 6262.00027.03  | Suction filter Nut                      |
| 17 | 6226.00004.16  | Suction Filter seal                     |
| 18 | 6262.0027.08   | Suction filter lower part               |
| 19 | 6262.00062.08  | Tank heater cover                       |
| 20 | 9099.01000.14  | Tank heating resistance                 |
| 21 | 2710.00501.36  | Heat Transfer Plate                     |
| 22 | 6262.00021.163 | Water discharge hose double sided 200cm |
| 23 | 6262.00021.085 | Drain pump connection hose              |
| 24 | 2710.00502.75  | Drain pump housing plate                |
| 25 | 9099.P251E.00  | Drain pump                              |

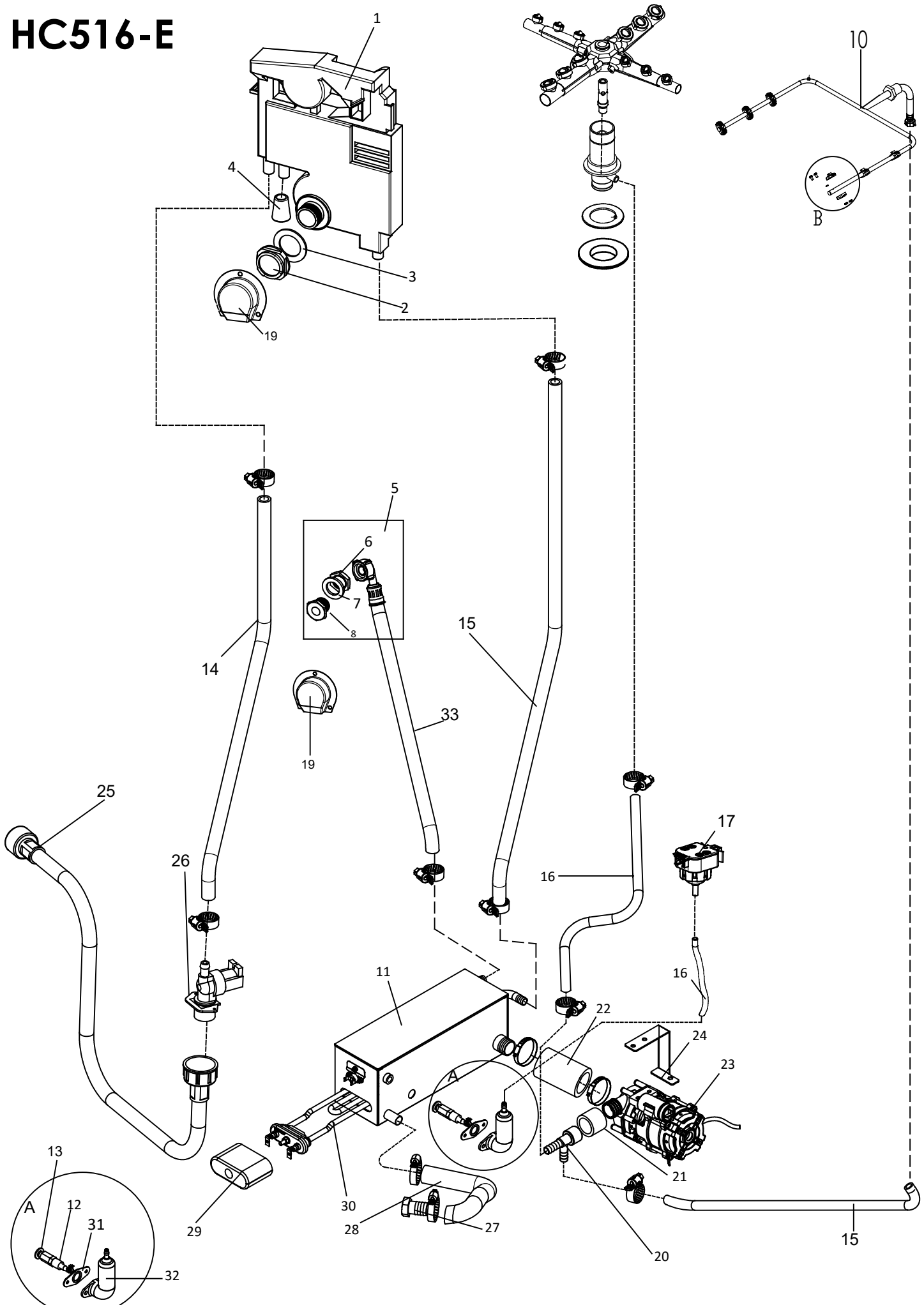
| R&D     | NAME    | SIGNATURE | DATE |
|---------|---------|-----------|------|
| DRAWING | S.GURCU |           |      |
| CONTROL | S.GURCU |           |      |
| CONSENT | M.HACI  |           |      |

GROUP NAME:

# BUFFALO

WASHING GROUP

# HC516-E



| R&D     | NAME    | SIGNATURE | DATE |
|---------|---------|-----------|------|
| DRAWING | S.GURCU |           |      |
| CONTROL | S.GURCU |           |      |
| CONSENT | M.HACI  |           |      |

**BUFFALO**

GROUP NAME: RINSING GROUP

# HC516-E

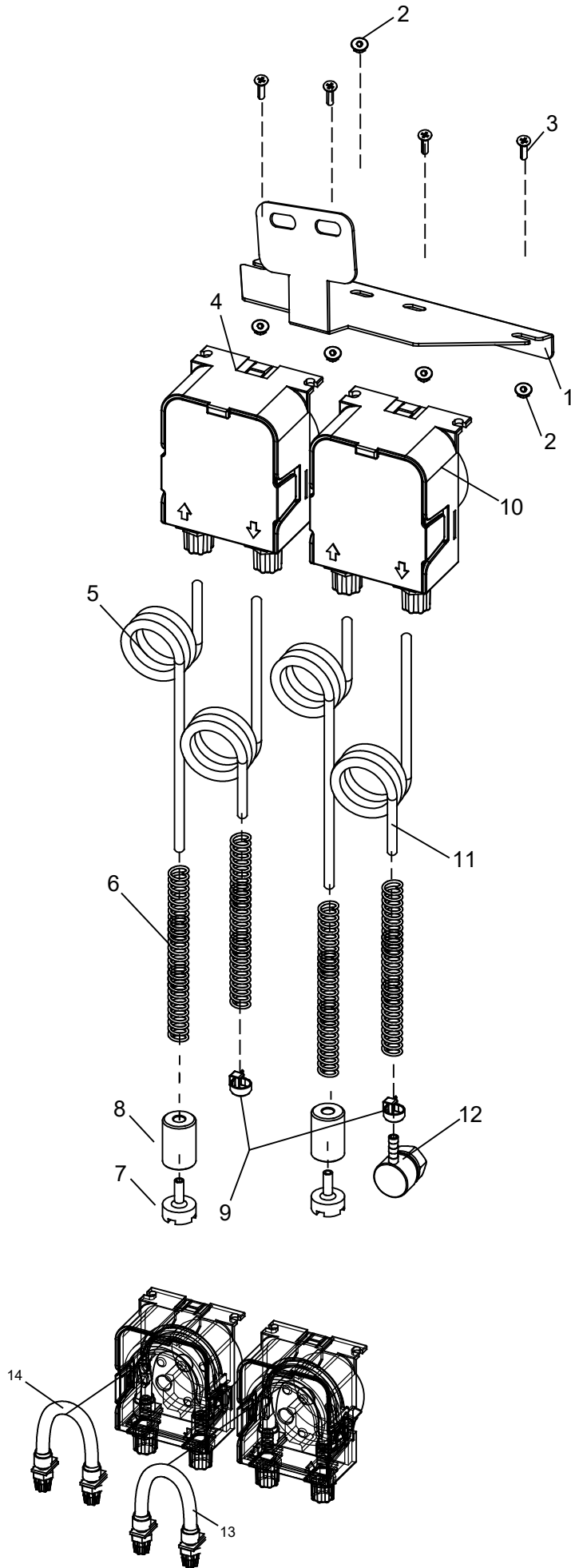
## Item names/Codes

|    |                        |                                  |
|----|------------------------|----------------------------------|
| 1  | 9099.01000.37          | Air Breaker AB Type              |
| 2  | 9099.01000.38          | Air Breaker Nut                  |
| 3  | 9099.01000.39          | Air Breaker Gasket               |
| 4  | 6262.00021.111         | Blind plug                       |
| 5  | 2710.00504.34          | Boiler Drain group               |
| 6  | 2KLP.460.626200032.19  | Nut                              |
| 7  | 6226.00005.04          | Gasket                           |
| 8  | 2KLP.460.00120100.9.01 | Boiler Drain hose part group     |
| 9  | 6262.30666.013         | Rinse-aid connection check valve |
| 10 | 2710.00502.03          | Upper Rinse arm                  |
| 11 | 2710.F0504.03          | <b>35X35 BOILER TANK GROUP</b>   |
| 12 | 6262.30666.013         | Rinse-aid connection check valve |
| 13 | 6226.00010.01          | <b>Klinger gasket 1/2"</b>       |
| 14 | 9999.00046.02          | <b>Hose</b>                      |
| 15 | 6262.00021.18          | <b>Hose</b>                      |
| 16 | 6262.00021.07          | <b>Hose ( Pressure switch )</b>  |
| 17 | 5A1X.37640.615         | <b>Pressure switch</b>           |
| 18 | 6268.00025.13          | <b>Pressure switch cable</b>     |
| 19 | 2710.00502.100         | Cover                            |
| 20 | 2KLP.460.626200041.15  | <b>Rinsing Connection Part</b>   |
| 21 | 6262.00021.81          | <b>Hose</b>                      |
| 22 | 6262.00021.82          | <b>Hose</b>                      |
| 23 | 9099.L56T28.SX         | Rinsing pump                     |
| 24 | 2710.00502.74          | Rinsing pump connection plate    |
| 25 | 6262.00021.109         | Water inlet hose                 |
| 26 | 9099.ES180.88          | Water inlet valve                |
| 27 | 6262.00001.60          | Boiler Drain outlet part         |
| 28 | 6262.0030.76           | Boiler drain outlet hose         |
| 29 | 6262.00062.08          | <b>Boiler tank heater cover</b>  |
| 30 | 9099.01000.01          | <b>Boiler heater 2950 W</b>      |
| 31 | 6226.00006.02          | Air trap ( plastic )             |
| 32 | 6262.00026.03          | Air trap gasket                  |
| 33 | 6262.00021.64          | Hose                             |

|         |         |           |      |
|---------|---------|-----------|------|
| R&D     | NAME    | SIGNATURE | DATE |
| DRAWING | S.GURCU |           |      |
| CONTROL | S.GURCU |           |      |
| CONSENT | M.HACI  |           |      |

|             |                             |
|-------------|-----------------------------|
| GROUP NAME: | <b>BUFFALO</b>              |
|             | RINSING GROUP EXPLODED VIEW |

# HC516-E



| R&D     | NAME    | SIGNATURE | DATE |
|---------|---------|-----------|------|
| DRAWING | S.GURCU |           |      |
| CONTROL | S.GURCU |           |      |
| CONSENT | M.HACI  |           |      |

## BUFFALO

GROUP NAME: DETERGENT/ RINSE AID PUMP GROUP

# HC516-E

## Item names/Codes

|    |                |  |
|----|----------------|--|
| 1  | 2710.00501.47  | Detergent / Rinse aid pump connection plate      |
| 2  | 6214.00014.03  | M4 hex nut with flange                           |
| 3  | 6213.00002.02  | M4*16 YHB INOX BOLT                              |
| 4  | 9999.P22CA.030 | Rinse aid pump                                   |
| 5  | 9740.COD610.A4 | Rinse aid pump hose ( blue ) ( 4 meters )        |
| 6  | 6262.00047.03  | Spring dosing hose cover                         |
| 7  | 9740.COD13.68  | Detergent/Rinse aid pump plastic filter          |
| 8  | 6262.30666.17  | Detergent/Rinse aid pumps tainles steel weight   |
| 9  | 6238.00003.00  | Cable tie  |
| 10 | 9999.P22AA.010 | Detergent pump                                   |
| 11 | 9740.COD61.A4  | Detergent pump hose ( transparent ) ( 4 meters ) |
| 12 | 9740.COD50.75  | Detergent pump tank connecion part               |
| 13 | 9099.MIDEM.00  | Inner Detergent pump tube                        |
| 14 | 9099.MIRIM.00  | Inner rinse aid pump tube                        |

| R&D     | NAME    | SIGNATURE | DATE |
|---------|---------|-----------|------|
| DRAWING | S.GURCU |           |      |
| CONTROL | S.GURCU |           |      |
| CONSENT | M.HACI  |           |      |

|                |
|----------------|
| <b>BUFFALO</b> |
|                |